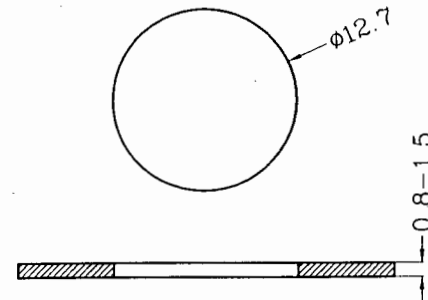
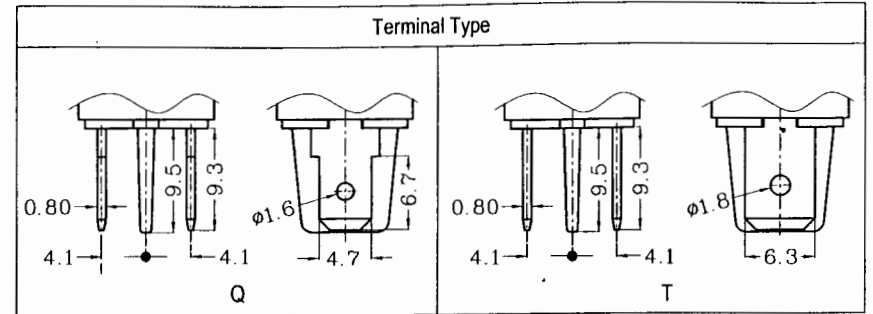
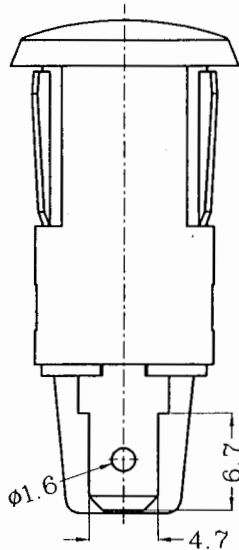
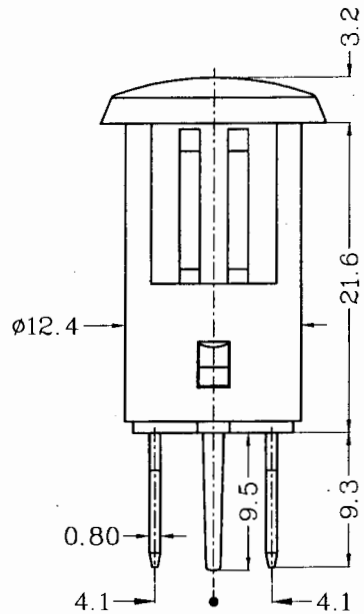
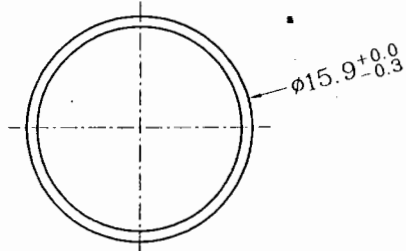
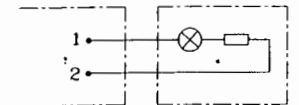


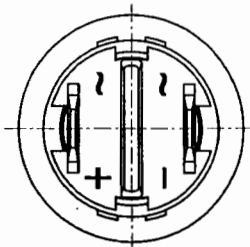
MARKS	MODIFICATION	QTY.	CHG. BY	DATE



Suggested panel hole size



WIRING DIAGRAM



MERCHANT CORPORATION LTD.		SCALE:	TITLE	MODEL NO.
DRAWN <i>李东升</i>	DATE 24/11/04	NOT SCALE UNIT: 1.00 mm	INDICATOR LAMP FUNCTION: INDICATOR	LH-580 REVISION A0
CHECKED <i>李东升</i>	DATE 24-11-04	TOLERANCE UNLESS STATED .X : ±0.30 .XX : ±0.15 ANGULAR: +/-2.0°	PART NO.	DRAWING NO. DR-09001-F001
APPROVED <i>David</i>	DATE 24/11/04		FINISH NO BUDS	SHEET 1 OF 1