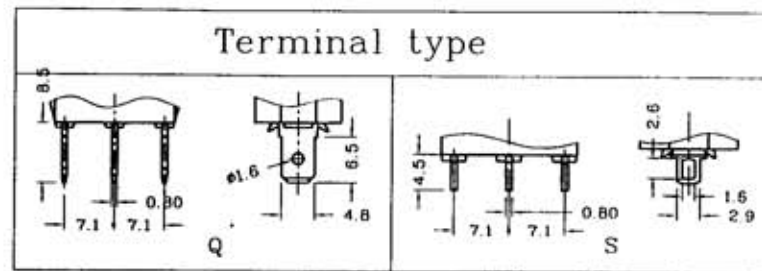
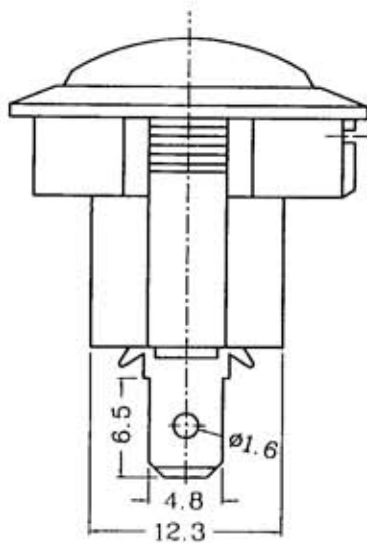
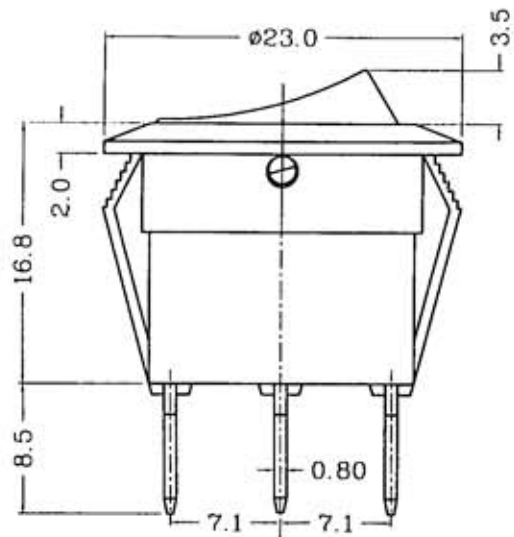
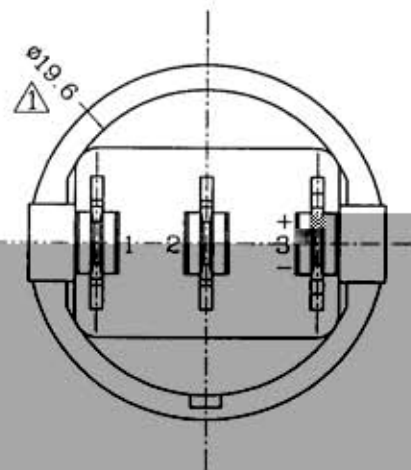
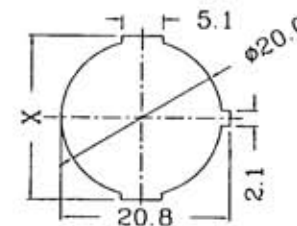


MARKS	MODIFICATION	QTY.	CHG. BY	DATE
⚠	Change from $\phi 19.8$ to $\phi 19.6$	1	G154	06/09/03



Suggested panel hole size

Panel thickness	x
0.75~1.25	20.3
1.25~2.0	20.8
2.0~3.0	21.1



WIRING DIAGRAM