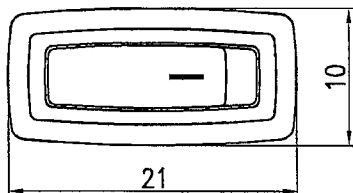
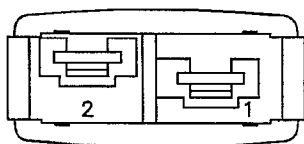
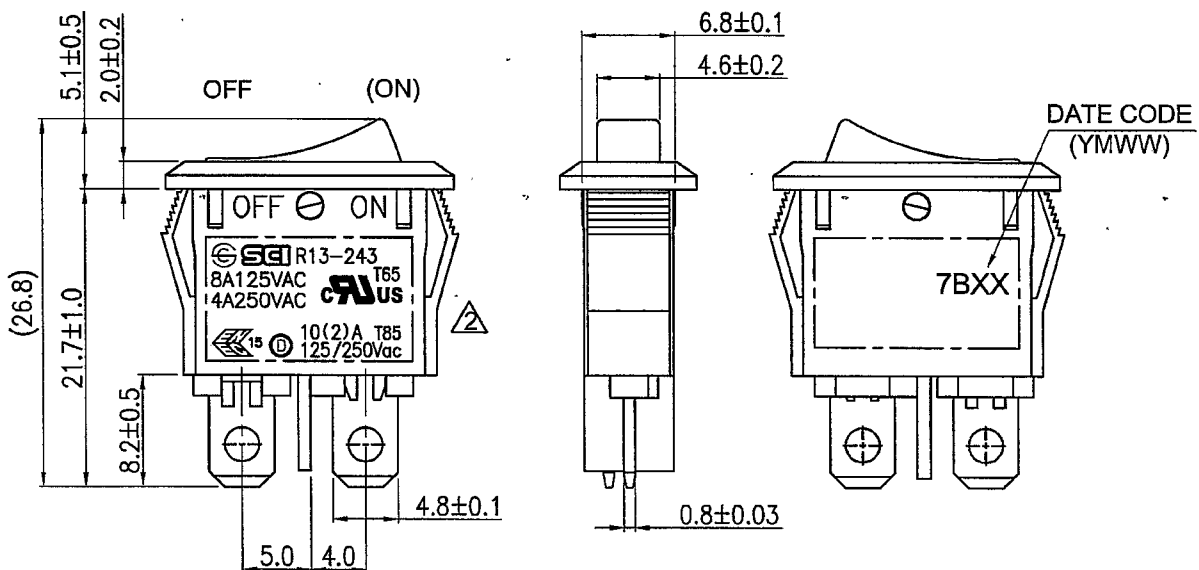


Rating	8A 125V AC 4A 250V AC 10(2)A 125/250Vac		Mounting Hole	Circuit Diagram											
Contact Resistance	50m ohm Max		 <table border="1"> <tr> <th>Thickness</th> <th>X</th> <th>Y</th> </tr> <tr> <td>0.75...1.25</td> <td>19.2-0.1</td> <td>7+0.1</td> </tr> <tr> <td>1.25...2</td> <td>19.4-0.1</td> <td>7+0.1</td> </tr> <tr> <td>2...3</td> <td>19.8-0.1</td> <td>7+0.1</td> </tr> </table>		Thickness	X	Y	0.75...1.25	19.2-0.1	7+0.1	1.25...2	19.4-0.1	7+0.1	2...3	19.8-0.1
Thickness	X	Y													
0.75...1.25	19.2-0.1	7+0.1													
1.25...2	19.4-0.1	7+0.1													
2...3	19.8-0.1	7+0.1													
Insulation Resistance	DC 500V 100M ohm Min														
Dielectric Strength	AC 1500V 1 minute														
Operation Temperature	-20°C~85°C														
Switch Function	2P SPST (ON)-OFF														



Material:
 Frame: Black, Nylon 66
 Actuator: Black, Nylon 66
 Hot Stamping: White —



Tolerances ±0.3 Unless Otherwise Specified

02/16/'17	曾敏捷	依 SCI 品管 MCR 修改安規，并更新圖面			
6/6/'13	周傑輝	增加SCI刻字和更新安規			
Date	Name	Description			No.
Drawn	Checked	Approved	SCI BOM No.	1822108	Model Name
曾敏捷			Customer No.		ROCKER SWITCH
02/16/'17	2/16-17	2/16-17	Unit	mm	Model No.
					R13-243F-02
					Rev.
					2